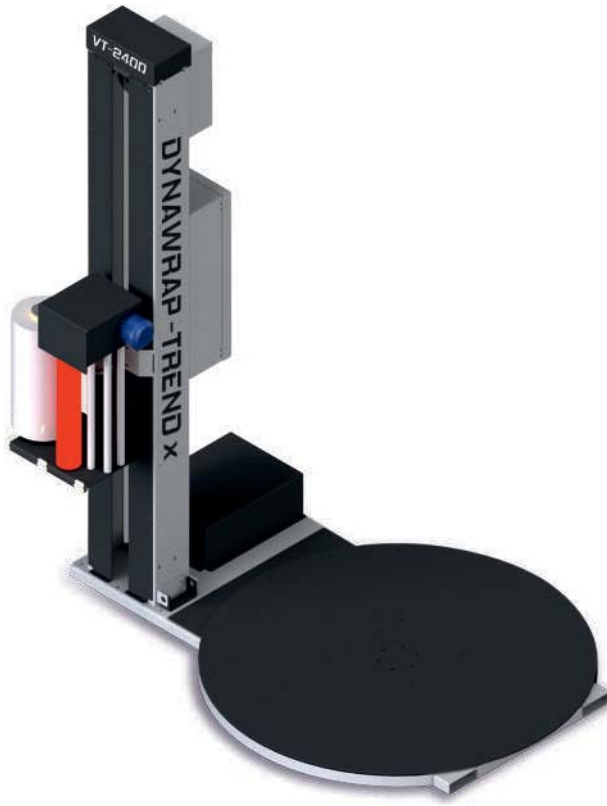




## TREND X

"Elevate Efficiency with Vertical Pallet Wrapping Excellence"

## Standart Machine Includes:



Mechanical Tensioning



Photocell Sensor



Simple Assembling



Stretch Roture Warning System

### MACHINE TECHNICAL SPECIFICATIONS

Wrapping Programs	Operating Panel 6 Programs
Turntable Diameters	1500 / 1650 / 1800
Max. Loading Weight (kg)	1500 (STD) / 2000 (OPT)
Wrapping Height	2200 / 2400 / 2700 /3000
Spool Carriage Speed	1,3 up to 5,4 m/min
Voltage	230V-1Ph-50/60Hz
Turntable Rotation Speed	5-12 rpm
Output Capacity	25 Pallets/Hour*
Turning Diameter	1700 mm

\*Depends on the Film Quality and Loading Supply

### STRETCH FILM TENSIONING

Mechanical Tensioning	
Motorised Power Pre Stretch**	150 - 300%
Tensioning depends on Stretch Quality and Elongation	

### RECOMMENDED STRETCH FILM

Max. Weight	20 kg
Thickness (Micron)	8-30

### CUSTOMISE YOUR MACHINE WITH:



Wifi/Mobile Access



Barcode Program & Printer



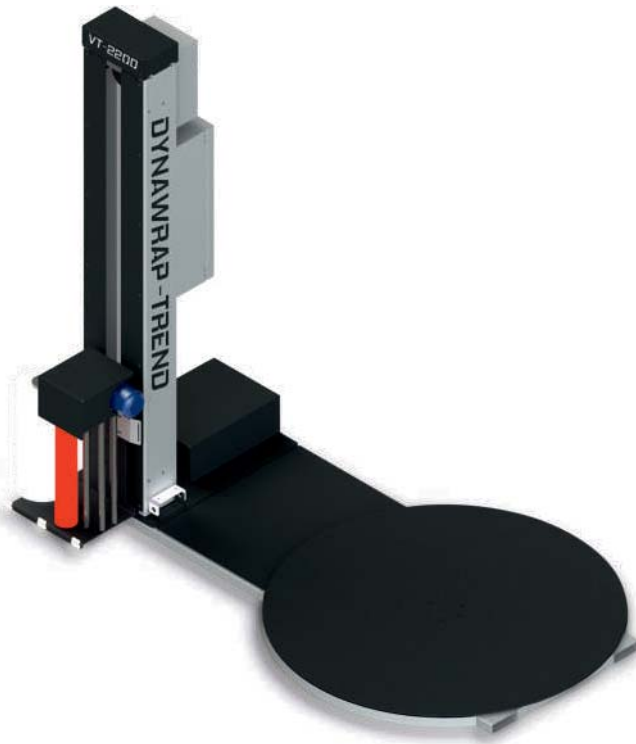
Loading Ramp



## TREND

"Elevate Efficiency with Vertical Pallet Wrapping Excellence"

## Standart Machine Includes:



Mechanical Tensioning



Photocell Sensor



Simple Assembling



Stretch Roture  
Warning System

### MACHINE TECHNICAL SPECIFICATIONS

Wrapping Programs	Operating Panel 6 Programs
Turntable Diameters	1500 / 1650 / 1800
Max. Loading Weight (kg)	1500 (STD) / 2000 (OPT)
Wrapping Height	2200 / 2400 / 2700 /3000
Spool Carriage Speed	1,3 up to 5,4 m/min
Voltage	230V-1Ph-50/60Hz
Turntable Rotation Speed	5-12 rpm
Output Capacity	25 Pallets/Hour*
Turning Diameter	2200 mm

\*Depends on the Film Quality and Loading Supply

### STRETCH FILM TENSIONING

Mechanical Tensioning	
Motorised Power Pre Stretch**	150 - 300%
Tensioning depends on Stretch Quality and Elongation	

### RECOMMENDED STRETCH FILM

Max. Weight	20 kg
Thickness (Micron)	8-30

### CUSTOMISE YOUR MACHINE WITH:



Wifi/Mobile Access



Barcode Program  
& Printer



Loading Ramp



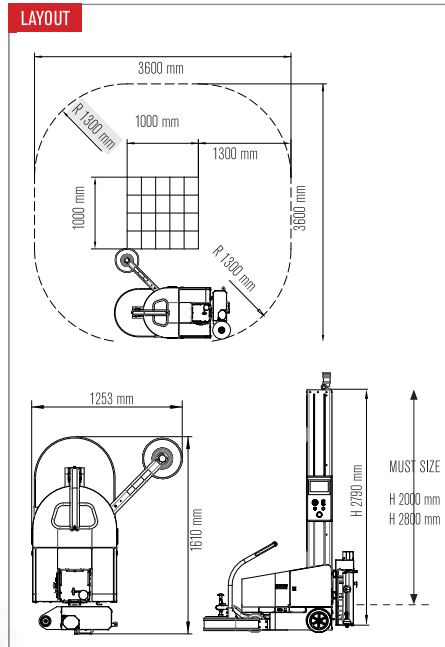
# ROBOWRAP

"Precision Robotics, Perfect Pallet Wrapping"

## Standart Machine Includes:



Schneider Electric PEPPERL+FUCHS



TOUCH MONITOR



REMOTE CONTROL



SAFETY BUMPER



AFC DEVICE

AUTOMATIC FILM CUTTING



PRE-STRETCH SYSTEM



PHOTOCELL SENSOR



Handle Release System



Pre-Stretch Film Carriage



Start Cycle With Remote Control



Digital Color Touch Screen 7.2"

### DATA SHEET

#### ROBO WRAP 600 A

#### ROBO WRAP 600 B

Carriage	Mechanical Brake Carriage	Powered pre-stretch 2 Positions (230-300%)
Installed Power	1 Kw	1,25 Kw
Rotating Speed	35-90 Rpm	35-90 Rpm
Carriage Up E Down Speed	1,4 - 5 Mt/min	1,4 - 5 Mt/min
Net Machine Weight	450 Kg	450 Kg

### PRODUCT FEATURES

Product Dimensions	Min. 600 X 600 Mm   Max ∞	Min. 600 X 600 Mm   Max ∞
Max Product Height	2300 Mm	2300 Mm
Max Product Weight	No Limit	No Limit

### FILM ROLL FEATURES

Film Roll External Diameters	280 Mm	280 Mm
Film Roll Height	500 Mm	500 Mm
Film Roll Thickness	12-35 My	12 - 35 My
Film Roll Internal Diameter	76 Mm	76 Mm
Film Roll Max Weight	16 Kg	16 Kg

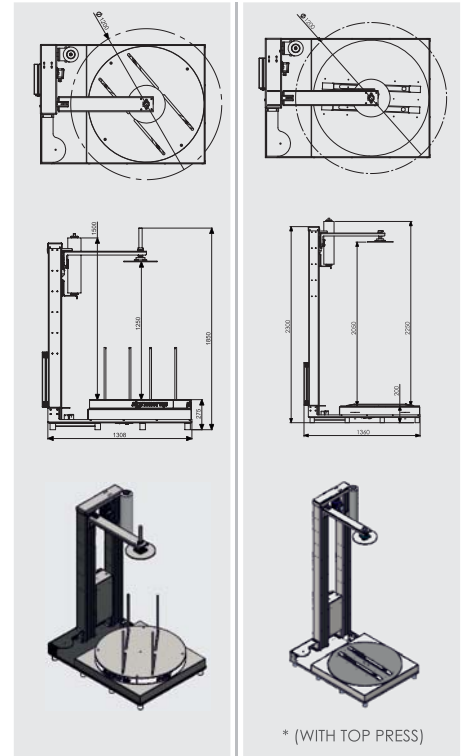


# PETTY

"A vertical Wrapping Machine For Many Needs"

## PETTY 1.5

## PETTY 2.2



\* (WITH TOP PRESS)

### SOME PRODUCTS YOU CAN PACK WITH PETTY



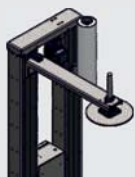
### MACHINE TECHNICAL SPECIFICATIONS

Machine Weight	200 kg / 225 kg*
Plate Carrying Capacity	120 kg
Power Supply Voltage	230v

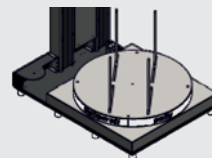
### STANDART STRETCH FILM DIMENSIONS

Width (mm)	500 mm max
Core Diameter (mm)	50 mm
Thickness	10-12-15-17-20-23 Mic.
Exterior Diameter	Max 150mm

### CUSTOMISE YOUR MACHINE WITH



Top Pnoematic Stabilizers



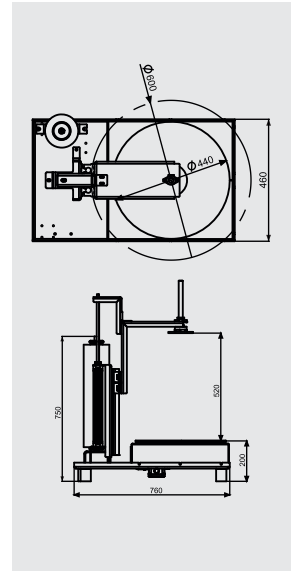
Self Holding System



# EASY

"Mini Vertical Wrapping Machine!"

# DYNARAP EASY



## MACHINE TECHNICAL SPECIFICATIONS

Machine Weight	40 kg
Plate Carrying Capacity	60 kg
Power Supply Voltage	230V

## STANDART STRETCH FILM DIMENSIONS

Width (mm)	250 / 500 mm max
Core Diameter (mm)	50 mm
Thickness	8 - 10 - 17 - 20 - 23 Mic.
Exterior Diameter	Max 150mm

# STRETCH

"Dynawrap Stretch Saving Program"



**Wrap Smarter, Save Bigger:**

Join the Dynawrap Stretch Saving Program Today!

**The Dynawrap Stretch Saving Program:**

Your Path to Cost-Efficient Packaging.  
Join us and reduce your regular packaging costs by up to

**50%!**